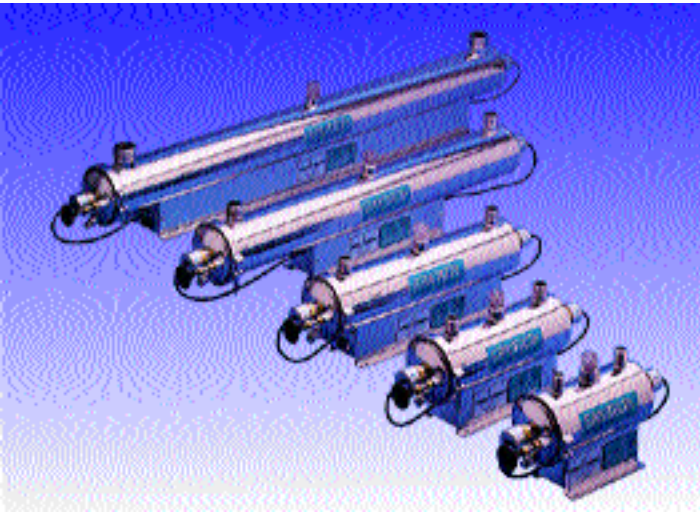


AWS

ADVANCED WATER SYSTEMS

Stainless Steel Ultraviolet

Sterilization Systems



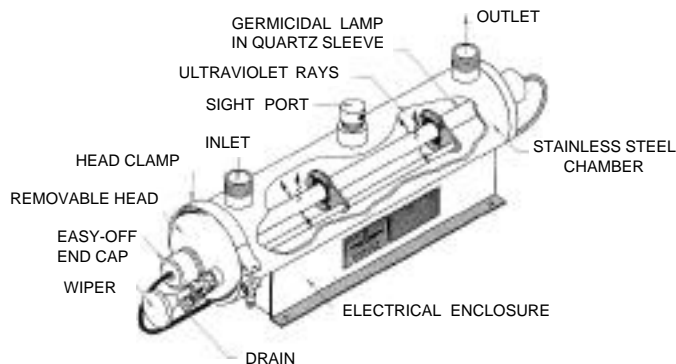
- **Bacteria, Viruses?**
- **Coliforms, E-Coli?**
- **Need Disinfected Water for Drinking or Processed Water?**

AWS HAS THE ANSWER!

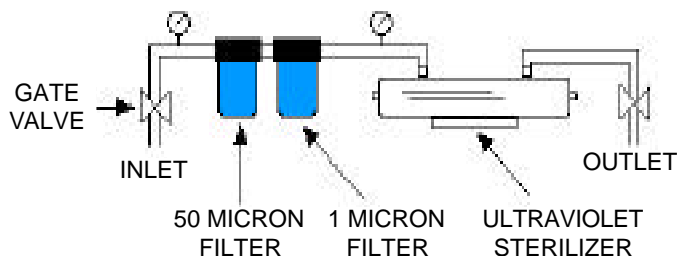
If your water contains bacteria or viruses and you wish to avoid the use of chlorine or other disinfection chemicals, then sterilization by UV light may be your best choice. UV water sterilizers utilize germicidal ultraviolet lamps which produce short wave radiation that is lethal to bacteria, viruses and other micro-organisms present in many surface and some ground waters. These rays are shorter in wavelength than the shortest UV rays that penetrate the earth's atmosphere from the sun. Germicidal lamps are widely used for disinfection in hospitals, food processors and bottlers to prevent product contamination. These systems are fully automatic, and water is sterilized as it flows through the UV unit. Pretreatment and water clarity is important, so contact AWS with your specific water chemistry and application criteria.

STAINLESS STEEL, HIGH-FLOW, HEAVY-DUTY ULTRAVIOLET STERILIZERS

Operational Components of the Sanitron: Manufactured for precision and reliability by Atlantic Ultraviolet Corporation.



Typical Installation of Ultraviolet System with Pre-Filters



Sanitron Optional Accessories



ULTRAVIOLET MONITOR



TIME DELAY MECHANISM



SOLENOID VALVE

*Replacement Ballasts, Lamps, and Quartz Sleeves are also available for the Ultraviolet Sterilizers. See our full page brochure on Ultraviolet Sterilizer Replacement Parts for more information and a list of prices.

Sanitron Series: Best quality available. The chamber, head, clamp and hardware are all type 304 stainless steel for lifetime corrosion-free service. Patented Dual Action Wiper facilitates periodic cleaning of quartz sleeve without interruption of operation. Removable flanged head allows for easy disassembly of unit. No tools required to change lamp or take flanged chamber apart! Translucent site port provides positive indication of lamp. Includes recommended flow control. Drain plug standard. Higher quality electronic ballasts now standard. These units are 118v 60 hz. 220v 50 hz and 12v dc models are also available.

| GPM* | Description | Pipe Size | Ship. Wt. | Dimensions | Part # | Price Each |
|------|-------------|-----------|-----------|----------------------------|-----------|------------|
| 2 | S14 | 1/2" | 10 lbs. | 16-3/8" x 5-1/2" x 8-3/16" | UV0-00010 | \$979.00 |
| 3 | S17 | 3/4" | 11 lbs. | 19-3/8" x 5-1/2" x 8-3/16" | UV0-00040 | \$1021.00 |
| 6 | S23 | 3/4" | 16 lbs. | 25-3/8" x 5-1/2" x 8-3/16" | UV0-00050 | \$1119.00 |
| 12 | S37B | 1" | 27 lbs. | 39-3/8" x 5-1/2" x 8-3/16" | UV0-00060 | \$1259.00 |
| 20 | S50B | 1-1/2" | 35 lbs. | 52-3/8" x 5-1/2" x 8-3/16" | UV0-00020 | \$1539.00 |
| 40 | S2,400B | 2" | 51 lbs. | 50" x 8" x 13" | UV0-00080 | \$2940.00 |

Mighty Pure Series: Great quality at a low price. Construction is all type 304 stainless steel for lifetime corrosion-free service. No wiper, but lamp changes easily, and quartz sleeve is easily removed for cleaning. Translucent site port provides positive indication of germicidal lamp. Convenient drain plug included. Includes recommended flow control. Higher quality electronic ballasts now standard. These units are 118v 60 hz. 220v 50 hz and 12v dc models are also available.

| GPM* | Description | Pipe Size | Ship. Wt. | Dimensions | Part # | Price Each |
|------|-------------|-----------|-----------|-----------------------------|-----------|------------|
| 2 | MP13 | 1/2" | 8 lbs. | 13-1/2" x 4-5/16" x 8-3/16" | UV0-00100 | \$707.00 |
| 3 | MP16 | 3/4" | 9 lbs. | 16-1/2" x 4-5/16" x 8-3/16" | UV0-00110 | \$735.00 |
| 6 | MP22 | 3/4" | 14 lbs. | 22-1/2" x 4-5/16" x 8-3/16" | UV0-00120 | \$833.00 |
| 12 | MP36B | 1" | 25 lbs. | 36-1/2" x 4-5/16" x 8-3/16" | UV0-00240 | \$945.00 |
| 20 | MP49B | 1-1/2" | 33 lbs. | 49-1/2" x 4-5/16" x 8-3/16" | UV0-00030 | \$1225.00 |

Point-of-Use Low Flow Series: Stainless steel construction. Excellent quality in a low flow rate system. Great for travel trailers, motor homes, cottages, house boats or other point-of-use applications such as under a kitchen sink.

| GPM* | Description | Pipe Size | Ship. Wt. | Dimensions | Part # | Price Each |
|------|-------------|-----------|-----------|---------------------------|-----------|------------|
| 1 | MIN-1 | 1/4" | 7 lbs | 12-3/8" x 2-1/2" x 3" | UV0-00280 | \$406.00 |
| 3 | MIN-3 | 3/4" | 9 lbs | 16-1/4" x 4-1/4" x 5-1/2" | UV0-00300 | \$490.00 |

Light Monitors: Electronic monitor visually indicates level of germicidal ultraviolet available after penetration of the quartz sleeve and water or liquid medium. Monitor also operates the solenoid valve and audio alarm for fail proof operation.

| Part # | Description | Price Each |
|-----------|--------------------------------|------------|
| U10-00450 | Monitor for all MPModels | \$570.00 |
| U10-00110 | Monitor for S14 - S2,400B | \$570.00 |
| U10-00130 | Remote Monitor for MP/S Models | \$714.00 |

Solenoid Valves: Top quality ASCO brass valves for long life and reliability. 115v. Works with Light Monitor. Normally closed. Requires 5 psi to open. Also available: stainless steel ASCO valves, 0 psi to open, and assorted voltages. Pricey but worth it.

| Part # | Pipe Size | Price Each |
|-----------|-----------|------------|
| V20-00440 | 1/2" | \$95.00 |
| V20-00500 | 3/4" | \$110.00 |
| V20-00590 | 1" | \$261.00 |
| V20-00690 | 1-1/2" | \$394.00 |
| V20-00730 | 2" | \$636.00 |

Time Delay Mechanism: Allows required two-minute lamp warm-up before allowing solenoid valve to open and water to flow through UV purifier. To avoid time-delay installation, these ultraviolet sterilizers can be left on continuously without overheating.

| Part # | Description | Price Each |
|-----------|---------------------------|------------|
| U10-00780 | 115V Time Delay Mechanism | \$162.00 |



(831) 476-0515 Fax (831) 476 2669
<http://www.advanced-water-systems.com>
 E-mail: info@advanced-water-systems.com

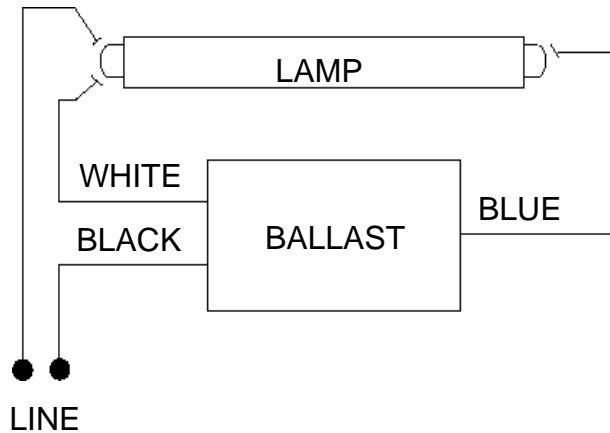


Dedicated to Safe Drinking Water
 American Water Works Assoc.
 Proud Members for 10 Years

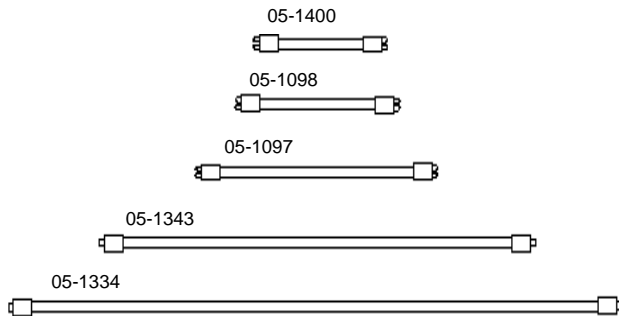


PACIFIC WATER
 QUALITY ASSOCIATION

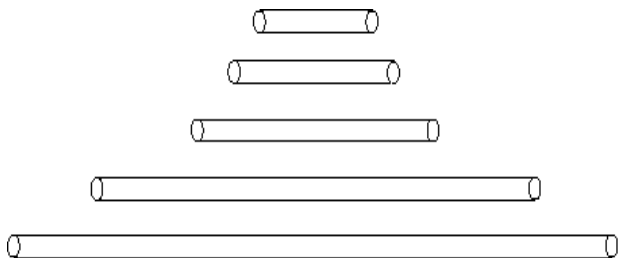
ULTRAVIOLET STERILIZER REPLACEMENT PARTS



Replacement Lamps



Replacement Quartz Sleeves



Replacement Ballasts: These last for years, but you may want to stock a spare.

| Part # | Description | Price Each |
|-----------|--|------------|
| U10-00210 | Ballast, 118v for S14/MP13 | \$34.00 |
| U10-00230 | Ballast, 118v for S17/MP16 | \$34.00 |
| U10-00250 | Ballast, 118v for S23/MP22 | \$36.00 |
| U10-00270 | Ballast, 118v for S37B, S50B, MP36B, MP49B | \$75.00 |
| U10-00290 | Ballast, 118v for S2400B | \$162.00 |
| U10-00570 | Ballast, 118v for MIN-1 &-3 | \$98.00 |

Replacement Lamps: Change yearly. Lamp good for approx. 14 months after which lamp solarizes and UV rays dim. Keep an extra lamp on hand for emergencies.

| Part # | Description | Price Each |
|-----------|---------------------|------------|
| U10-00460 | Lamp for S14/MP13 | \$60.00 |
| U10-00470 | Lamp for S17/MP16 | \$60.00 |
| U10-00480 | Lamp for S23/MP22 | \$60.00 |
| U10-00810 | Lamp for S37B/MP36B | \$70.00 |
| U10-00040 | Lamp for S50B/MP49B | \$87.00 |
| U10-00930 | Lamp for MIN-1 | \$66.00 |
| U10-00940 | Lamp for MIN-3 | \$66.00 |

Replacement Quartz Sleeves: Keep clean for optimum performance, by periodically wiping sleeve with wiper and/or disassembling and cleaning with vinegar or weak acid. Keep an extra sleeve on hand for emergencies.

| Part # | Description | Price Each |
|-----------|--------------------|------------|
| U10-00160 | Sleeve for S14 | \$27.00 |
| U10-00170 | Sleeve for S17 | \$30.00 |
| U10-00180 | Sleeve for S23 | \$40.00 |
| U10-00190 | Sleeve for S37B | \$42.00 |
| U10-00060 | Sleeve for S50B | \$66.00 |
| U10-00200 | Sleeve for S2,400B | \$144.00 |
| U10-00490 | Sleeve for MP13 | \$27.00 |
| U10-00500 | Sleeve for MP16 | \$30.00 |
| U10-00510 | Sleeve for MP22 | \$40.00 |
| U10-00800 | Sleeve for MP36B | \$42.00 |
| U10-00530 | Sleeve for MP49B | \$66.00 |
| U10-01130 | Sleeve for MIN-1 | \$27.00 |
| U10-01150 | Sleeve for MIN-3 | \$30.00 |



743 41st Avenue • Santa Cruz, CA95062

(831) 476-0515 Fax: (831) 476-2669

<http://www.advanced-water-systems.com>

E-mail: info@advanced-water-systems.com



Dedicated to Safe Drinking Water
American Water Works Assoc.
Proud Members for 10 Years



PACIFIC WATER
QUALITY ASSOCIATION